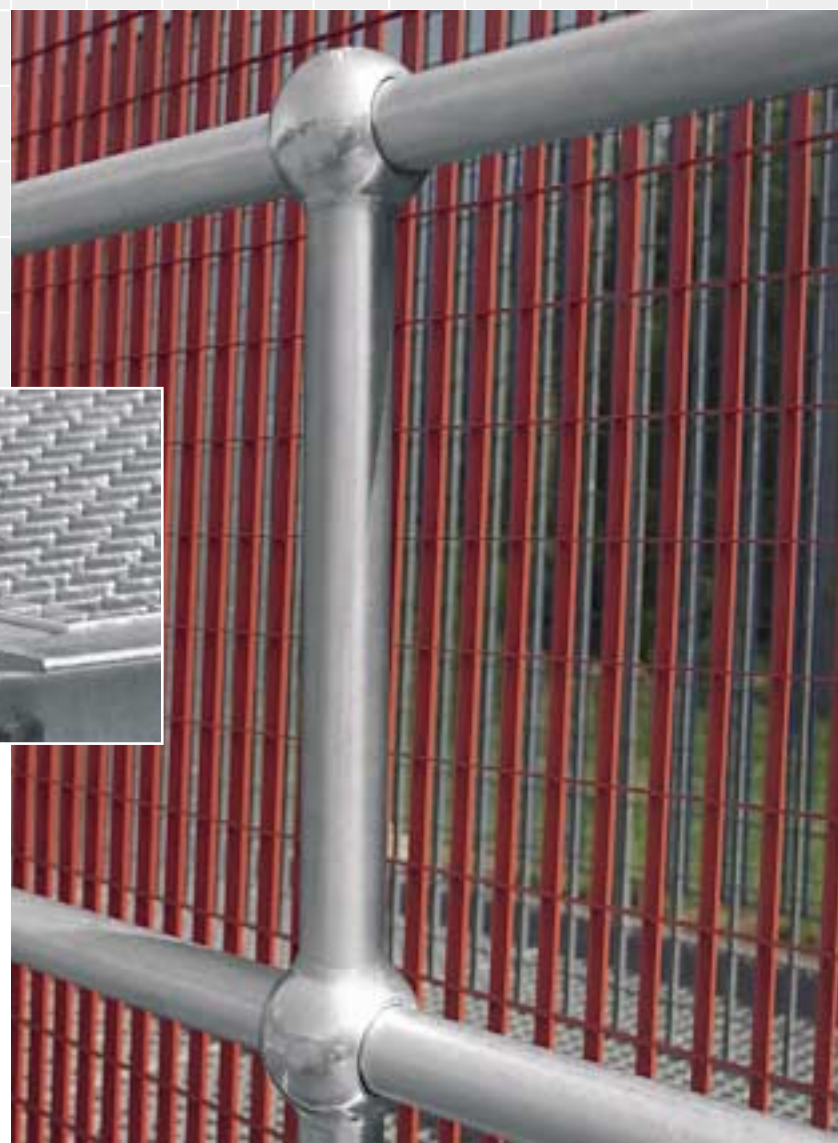
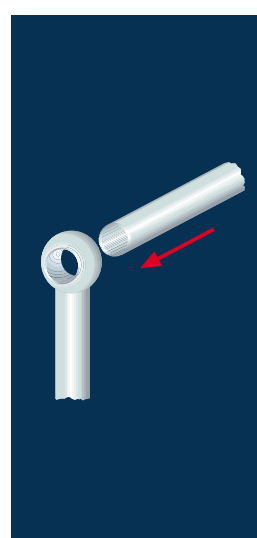


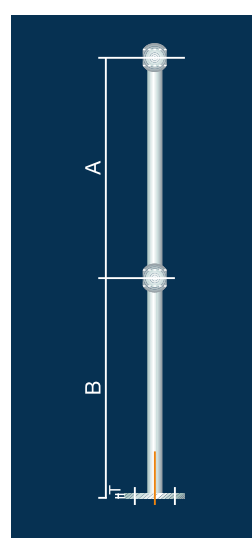
[System] *the, general: principle or order according to which something is constructed; summary of several components which interact among each other to form a unit which can be interpreted as a whole.*



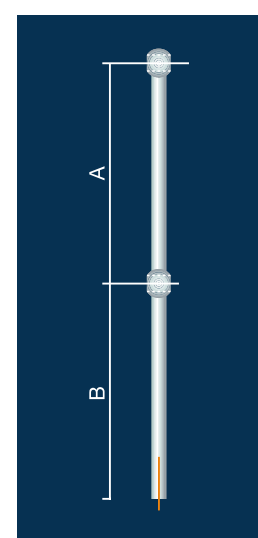
The elements



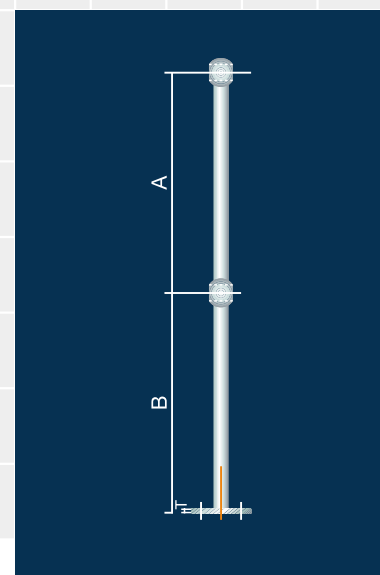
Basic elements
Ball and Tubular



Stick



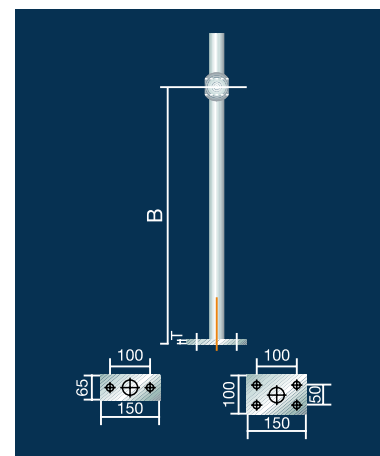
Standard
with base plates



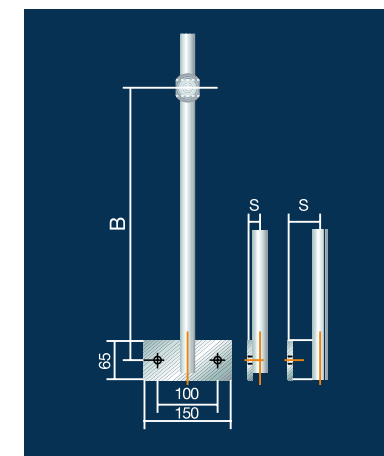
Standard

Handrails Standard Selection				Max. recommended Spacing for 1100 mm High Standards		
Type	Shank	Ball	Hole	220 N/m	360 N/m	740 N/m
Type 1 / 2 / 5 / angular						
tubular	TL Ø 33,7 mm	65 mm	36 mm	1300 mm	790 mm	385 mm
	TM Ø 42,4 mm	82 mm	45 mm	2186 mm	1336 mm	650 mm
	TH Ø 48,3 mm	94 mm	50 mm	2919 mm	1784 mm	868 mm
solid	SL Ø 32 mm	60 mm	36 mm	1934 mm	1182 mm	575 mm
	SH Ø 40 mm	70 mm	45 mm	3771 mm	2305 mm	1121 mm
Type 3 / 4 / 6 / 7						
tubular	TL Ø 33,7 mm	65 mm	36 mm	1230 mm	752 mm	366 mm
	TM Ø 42,4 mm	82 mm	45 mm	2073 mm	1267 mm	616 mm
	TH Ø 48,3 mm	94 mm	50 mm	2768 mm	1691 mm	823 mm
solid	SL Ø 32 mm	60 mm	36 mm	1834 mm	1121 mm	545 mm
	SH Ø 40 mm	70 mm	45 mm	3576 mm	2186 mm	1063 mm

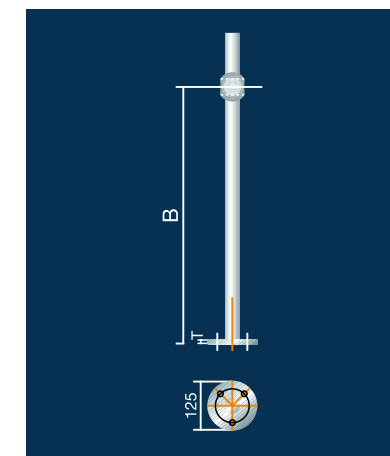
Baseplate Selection



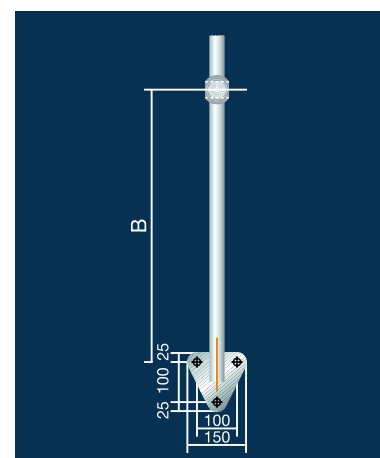
Type 1 and 2
horizontal,
rectangular base plate



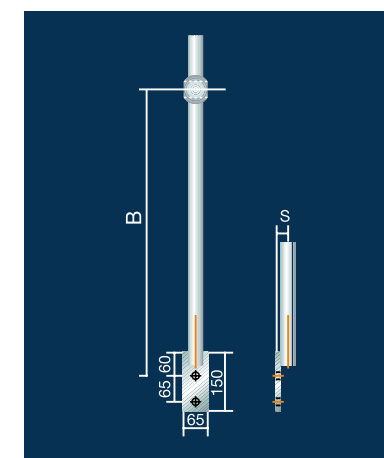
Type 3 and 4
vertical base plate, for lateral
attachment on walls, etc.



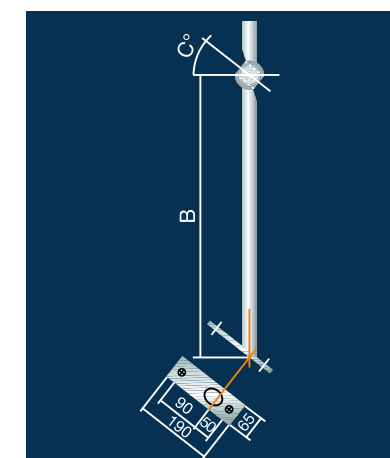
Type 5
horizontal,
round base plate



Type 6
vertical, triangular base plate,
for lateral attachment on walls, etc.



Type 7
small, vertical base plate,
for lateral attachment on walls, etc.

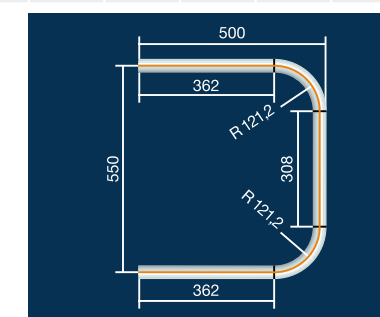


Type angular
base plate at an angle,
for attachment to slopes

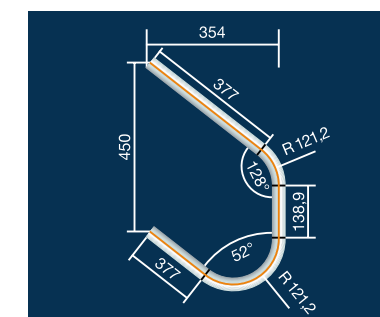
System Features



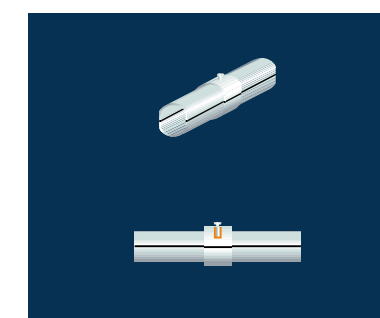
Obtuse,
Obtuse angle 90°



Level Return



Raked Return



Grub Srew Connector

Accessories

MEISER galvanized industrial railing systems are available in either tubular or solid pattern. They can be supplied as standards (with base plates), or as sticks (without base plates).

Tubular Pattern

Fabricated from circular hollow section shanks, welded to tubular balls. The big advantage is that they have the same load values as the variation made of solid materials and at the same time make possible a more attractive price due to their light weight.

Solid pattern

Fabricated from solid components, this style offers more resilience in extremely corrosive environments, such as sewerage treatment development and quay side barriers.

Construction

Both types can be manufactured in single or multiple ball arrangements. MEISER's standard ball centres (A) are 450 mm (raked), and 550 mm (level).

Standards are supplied with 12 mm thick Base Plates; however 15 mm thick is available on request. The balls on the standards come drilled and tapped and are supplied with grub screws. Sticks are generally supplied without drilling or grubscrews.



Inquiry

When ordering side palm standards to be used in a raked application, please specify left or right handing of standard when ascending stairs.

When ordering please specify the following details:

- Type of Standard (Tubular or Solid)
- Ball Diameter
- Rail Diameter
- Ball centres
- Straight or raked
- Shank Diameter
- Base Plate
- Height
- Quantity
- Finish

Tubular Handrails are available in:

Ø 25 mm
Ø 32 mm
Ø 40 mm

When ordering please specify:
Material diameter,
Dimensions (A and B),
Angle



The industrial railing system

Or to put it more simply:
Take a simple construction kit. There vertical elements and horizontal elements are connected to each other.

The industrial railing system is constructed with this simple principle. The vertical element consists of a vertical metal post with one or several drilled balls and a foot plate which you have selected. A pipe is pushed through the balls in turn – and the railing is finished.

Since the modular method of construction of this system is very flexible, the fields of use of the industrial railing system are almost unlimited.

The technically standard design predestines the industrial railing system for the use in industrial buildings, in manufacturing shops, on steel scaffolding or in harbours, but also in modern architecture or in the interior decorating as a detail of urban furnishing.

The galvanized steel causes the industrial railing system to be robust when it comes to corrosion and thus especially durable and safe.

The investment in an industrial railing system is not only a cheap option. Also the very quick assembly (and demounting) have an effect on lowering the costs. MEISER is known for having a good planning service, being reliable and delivering quickly as well as well thought-out system accessories. We also consider the implementation of individual customer demands as being part of a good planning service.

MEISER

Industrial Railing System

