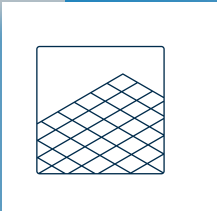
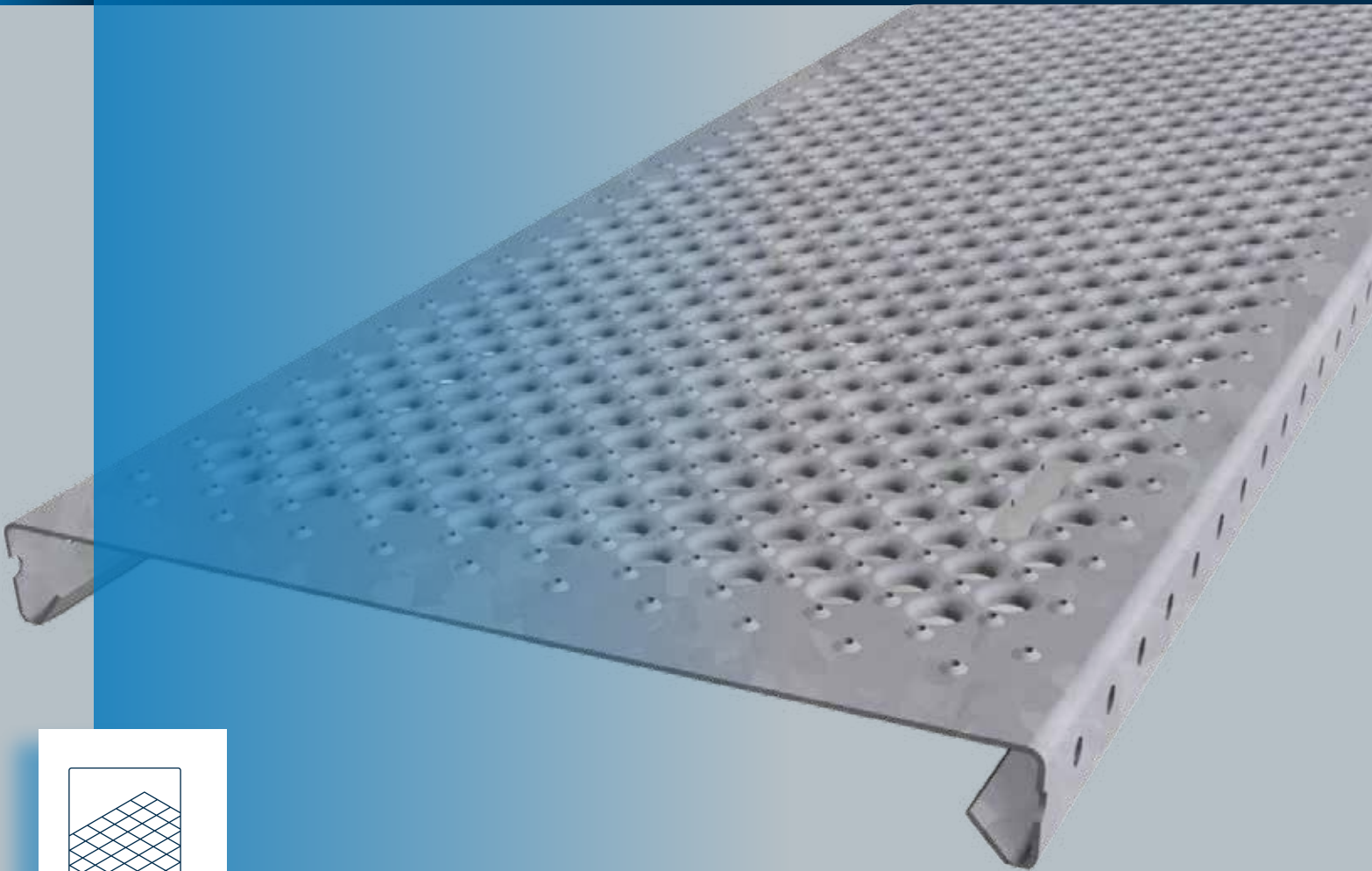


# Couvrazed





# MEISER

Our business divisions are synonymous with leading solutions in steel processing.



From the initial concept to the finished product, we support you with our expertise and innovation in steel. We manufacture, finish and deliver with clearly defined responsibilities. We operate cost-effectively and responsibly. With strong regional roots and an international presence, we provide planning certainty for your projects – from the initial consultation through to final acceptance.



## Grating Solutions

Customised solutions for complex tasks

[meiser.de/en/solutions-applications/grating-solutions](https://meiser.de/en/solutions-applications/grating-solutions)



## Road Safety

Well-thought-out solutions for the most stringent safety requirements

[meiser.de/en/solutions-applications/road-safety](https://meiser.de/en/solutions-applications/road-safety)



## Solar Systems

Innovative mounting technology for the energy of tomorrow

[meiser.de/en/solutions-applications/solar-systems](https://meiser.de/en/solutions-applications/solar-systems)



## Agricultural Solutions

Genuine expertise for growing demands

[meiser.de/en/solutions-applications/agricultural-solutions](https://meiser.de/en/solutions-applications/agricultural-solutions)



## Expanded Metal

Custom-made expanded metal designs at their best

[meiser.de/en/solutions-applications/expanded-metal](https://meiser.de/en/solutions-applications/expanded-metal)



## Coating Solutions

Precision coatings for reliable corrosion protection

[meiser.de/en/solutions-applications/coating-solutions](https://meiser.de/en/solutions-applications/coating-solutions)



## Other Solutions

Versatile solutions for specific challenges

[meiser.de/en/solutions-applications/other-solutions](https://meiser.de/en/solutions-applications/other-solutions)

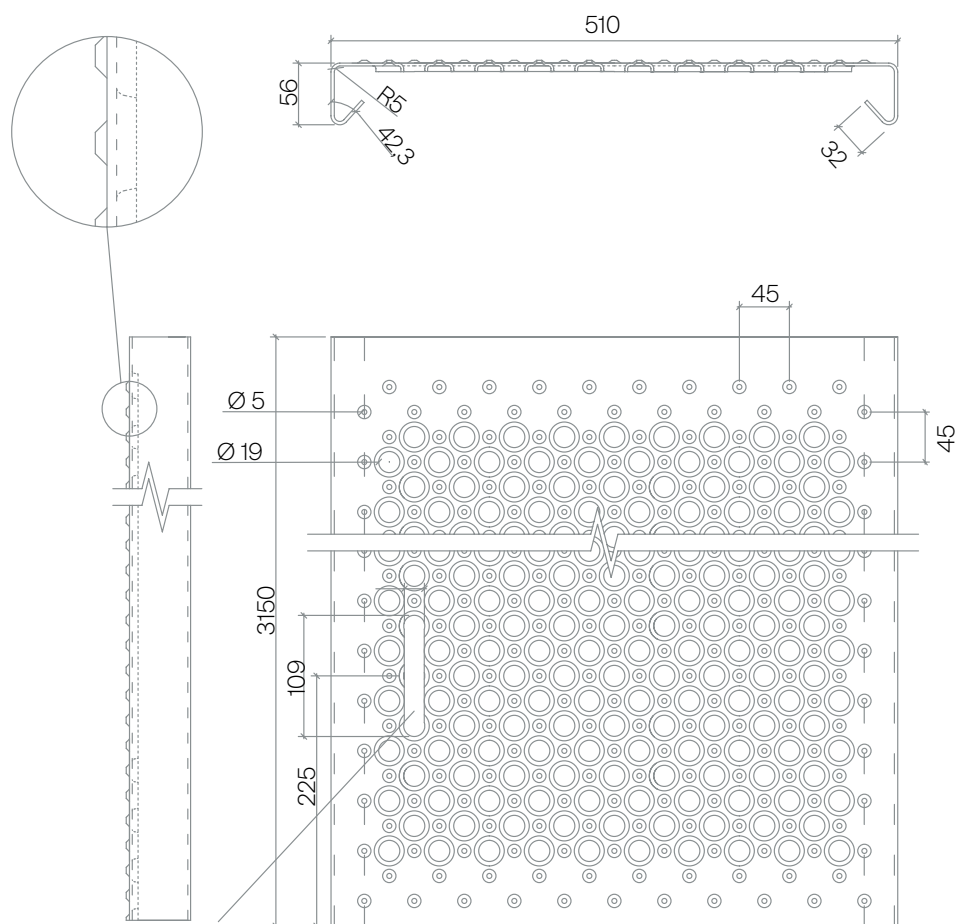


# MEISER Couvrazed

Simple to lay. High level of safety. Extremely light.

Couvrazed slip-resistant metal profile planks have been developed by MEISER for increased safety, especially for working on unstable roofs. The perforated, embossed surface structure reduces slipping by 37%. The specially angled edges make Couvrazed particularly suitable for corrugated roofs. The aluminium planks can be put in place quickly and easily due to their low weight of 15 kg.

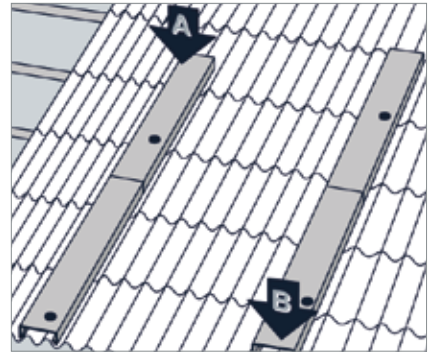
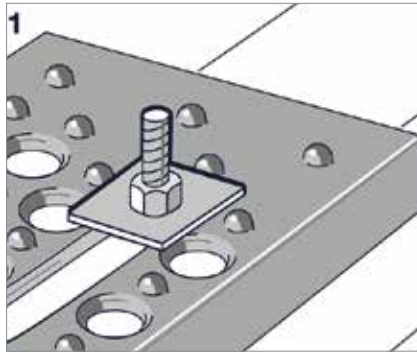
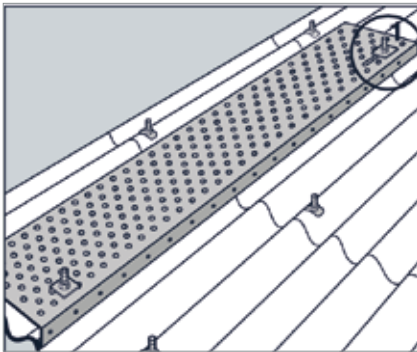
MEISER delivers Couvrazed as a kit consisting of two planks with corresponding fixing elements. Assembly instructions are of course also included.



Slotted holes 109 × 18 mm, 225 mm from the edge, every 1,350 mm

## Access from the roof gutter to the roof ridge Laying parallel to the corrugated roofing

Planks are applied with the folded edges facing downwards

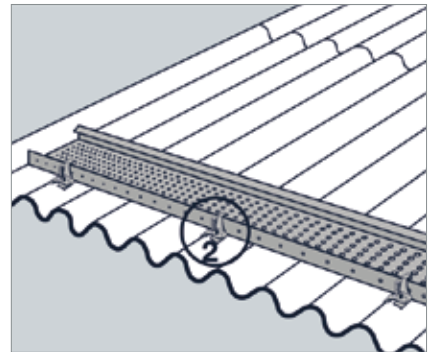
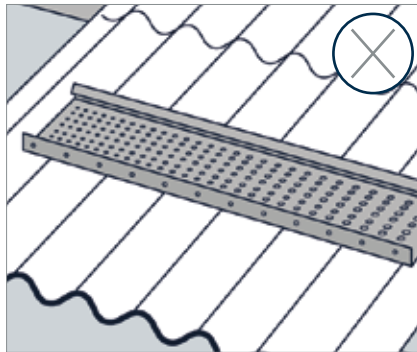
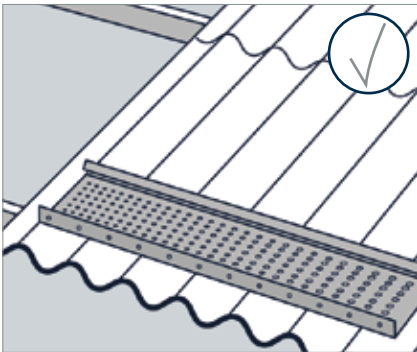


In order to prevent the plank from tilting due to load on A or B, these two points must be fixed by means

of a plate (or disc) to the fixing clips (hooks with nut, etc.) of the corrugated roof elements.

## Access from gable to gable Laying perpendicular to the corrugated roofing

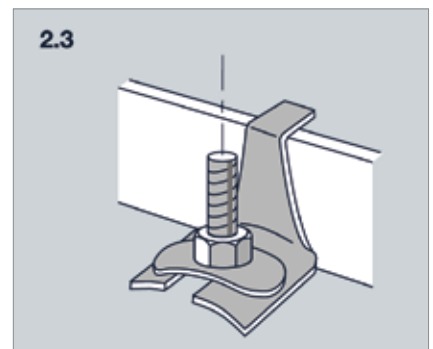
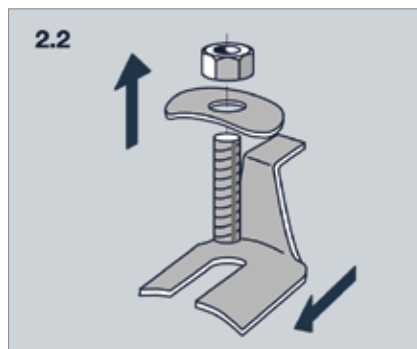
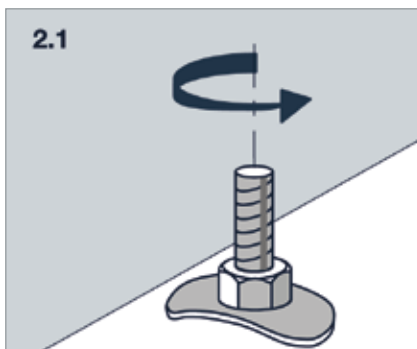
Planks are applied with the folded edges facing upwards



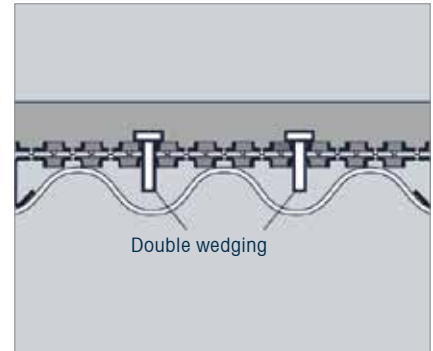
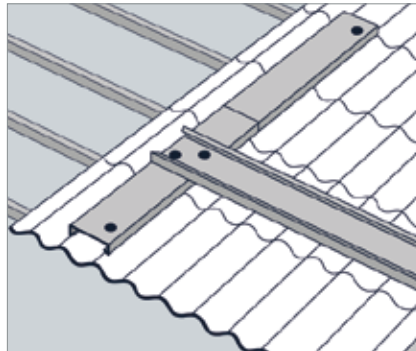
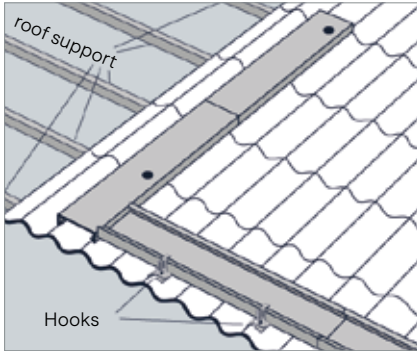
The planks have to lie along a rafter and

never between it.

Assembly of the safety fasteners.



## Combined laying (parallel or perpendicular to the corrugated roofing)



Here the aforementioned laying types, on the one hand, can be combined taking the respective assembly guidelines into consideration.

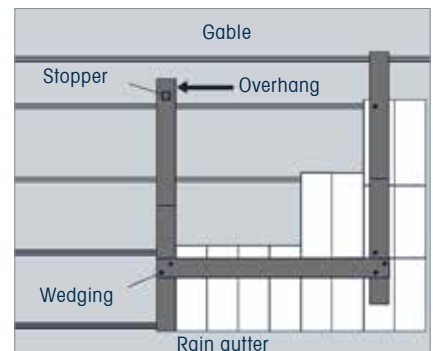
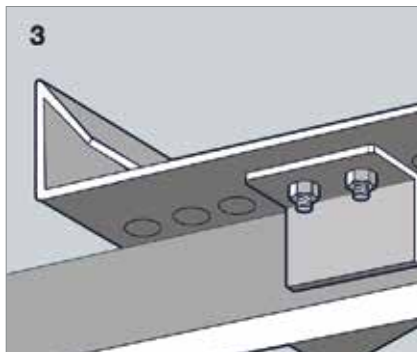
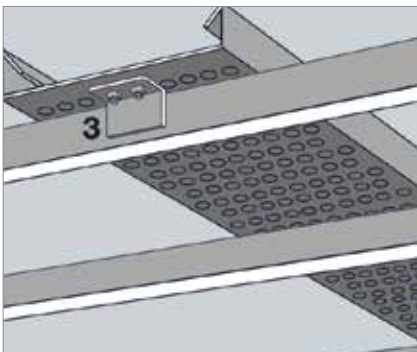
On the other, planks can also be connected to each other:

- planks parallel to the corrugated roofing: these must be fixed at two points each, as already described.
- planks perpendicular to the corrugated roofing: these must be bolted onto at least two planks, which are parallel to the corrugated roofing.

In this case, the perpendicular plank can be positioned anywhere. The connection must be performed with suitable bolts through two holes of both planks arranged on top of each other. The diameter of the bolt heads must be bigger than the holes in the planks.

## Use directly on the roof beams

Planks are applied with the folded edges facing upwards



The fixation of the plank or several connected planks is done by means of a stopper. It consists of an angle  $50 \times 100 \times 5$  mm with a length of 70 mm of which the short section has two drillholes with a diameter of  $\varnothing 18$ mm.

The angle is fixed with two M16 bolts on the bottom side of the plank, in order to hook in the plank at the roof support. Avoid overhangs. If unavoidable, the area of the overhang must not be accessed and must be secured accordingly!

Example of a combined use directly on the rafters and partly on the corrugated roof elements.

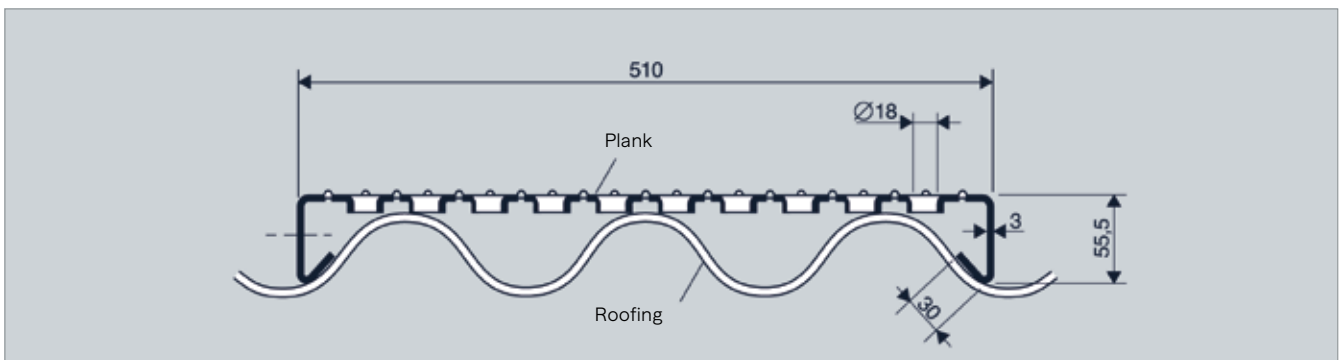
## Connection of two planks



If two planks are connected at the ends, an additional plank is required as working surface during the assembly.

Pluggable connection elements  
Couvrazed.

## Technical description



Monoblock plank made from aluminium (AIMg3 H111)

- Strength: 3 mm
- Width: 510 mm
- Height: 55,5 mm
- Length: 3.150 mm
- Inside folded edges: 30 mm for reinforcing
- Weight: 15,3 kg
- Also contained in the set:

Pluggable connection elements, safety stops

- contact surface: Size 3150 x 510 mm; with downwards punched profile with a diameter of Ø18mm. In regular offset layout, which allows fluids to run off. The upwards punched profile offers multi-directional anti-skid-properties. This ensures a high level of safety and comfort when

walking on inclined surfaces.

- packaging unit: 2 planks, 4 pluggable connection elements, 4 safety stops, 1 operating instructions.
- Packaged in stretch foil with reinforced ends.

## Usage information

These elements do not replace the applicable safety regulations: helmets, nets, banisters, etc.

Maximum inclination 40%. Maximum imposed load 100 kg for a span width of 2.25m. Attention when working close to power lines:

- ... minimum distance of 3 m in the case of voltage under 57,000 volt
- ... 5 m in the case of voltage equal or above 57,000 volt.



## Simple to lay

Only 2 safety stops and 2 safety hooks are required to quickly fix each element and also to disassemble it again with ease. Every Couvrazed set is supplied in a foil packaging with reinforced ends, assembly instructions are included.



## High level of safety

Couvrazed provides a high level of safety when working on all roofs with a sensitive covering layer with the multidirectional slip-resistant surface up to an inclination of 40% \*\*.

The workmen are reassured that they will not fall through the roof, thus work under better conditions leading to them being faster and more productive.

\*\* Load limited to 100 kg in the case of a span width of 2.25 m .



## Extremely light

The special, highly corrosion-resistant aluminium alloy ensures the low weight of 15 kg per plank and thus also a simple handling.

## Contact

**Gebrüder Meiser GmbH**  
Edmund Meiser Straße 1  
66839 Schmelz-Limbach

**Phone** +49 6887 309-0  
**Fax** +49 6887 309-3000  
**E-Mail** info@meiser.de

**Meiser Vogtland GmbH & Co. KG**  
Am Lehmteich 3  
08606 Oelsnitz

**Phone** +49 37421 50-0  
**Fax** +49 37421 50-2120  
**E-Mail** info@meiser.de

[www.meiser.de](http://www.meiser.de)