

MEISER Grating Fastening

Developed together with
the fastening specialist HILTI

MEISER



Benefits of the MEISER-HILTI grating clamp

- Easy installation from the top of the grating, removing the need for expensive access equipment from below
- **Integrated system:** Clamps are supplied pre-assembled as one unit, no loose parts to worry about
- **High security aspect:** No loose parts on the construction site, no dropping of loosened clamping parts
- For mesh widths of 22 to 36 mm and grating heights of 25 to 40 mm (other sizes on request)
- Simple adjustment and tightening of loose clamps
- Clamps are supplied hot-dip galvanised finish

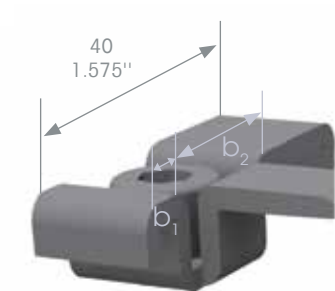
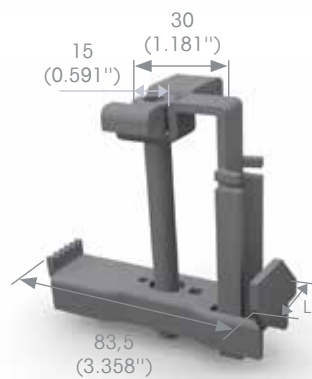


Technical Details:

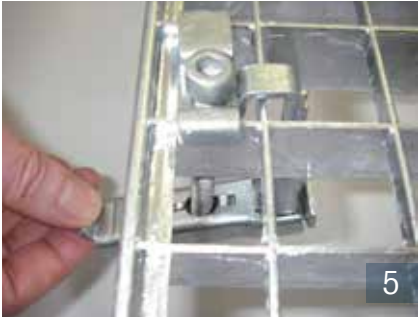
Hilti-Clamp

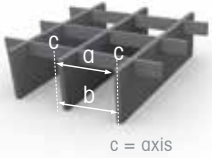
galvanized	
Designation	Mesh width [mm]
XMGR	33 x 33

max. grating height 40 mm



Easy and fast installation:



Installation overview	
Installation quantity/hour	240
Suitable grating meshes	 <p>a (min-max) 22 - 36 mm</p> <p>b (min-max) 25 - 40 mm</p> <p>c = axis</p>
Bearing bar thickness (min-max)	2 - 3 mm
Indoors	••
Outdoors	••
Sea water	-
Vehicle traffic	-
Recommended inst. tool	Electric screwdriver
Torque in Newton Meter (Nm)	5 - 8
Screwdriver setting	4 - 7
Material flange/screw	hot-dip galvanized

- Recommended: ••
- Suitable: •
- Not recommended: -

No liability whatsoever can be accepted for use other than recommended.

Gebr. MEISER GmbH

Edmund Meiser Straße 1
D-66839 Schmelz-Limbach

Tel: +49 (0) 68 87/3 09-0
Fax: +49 (0) 68 87/3 09-3000
E-Mail: info@meiser.de

MEISER Vogtland OHG

Am Lehmteich 3
D-08606 Oelsnitz

Tel: +49 (0) 37 421/50-0
Fax: +49 (0) 37 421/50 2120
E-Mail: info@meiser.de

www.meiser.de
